

**PROPOSED FLOOR PLAN**  
1/8" = 1'-0"

CITY STAMP

AARON MEJORADO  
127642  
LICENSED PROFESSIONAL ENGINEER

06/14/2024  
ENGINEER STAMP

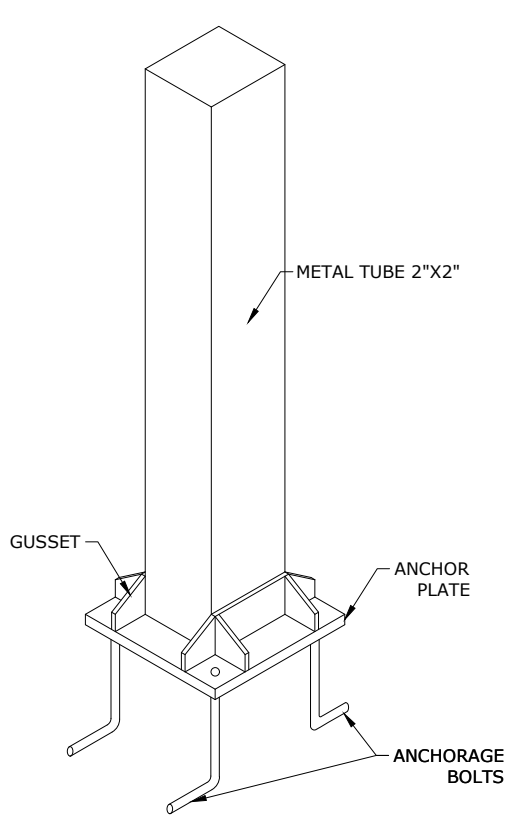
SCALE:	1/8" = 1'-0"
DATE:	06-13-24
REV:	
SQ.FT:	
DRAWING No.:	02 of 03

ADDRESS: 2680 DENTON TAP RD., LEWISVILLE, TX 76067

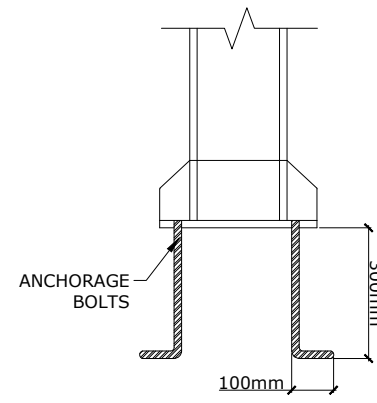
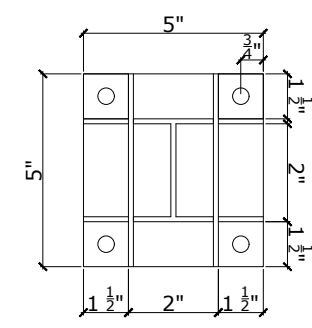
SCOPE OF WORK: ADDITION  
DRAWN: S.H.  
PLAN: FLOOR PLAN

**CREATIVO DESIGNS**

8500 N STEMMONS FWY  
SUITE#2045 DALLAS, TX 75247



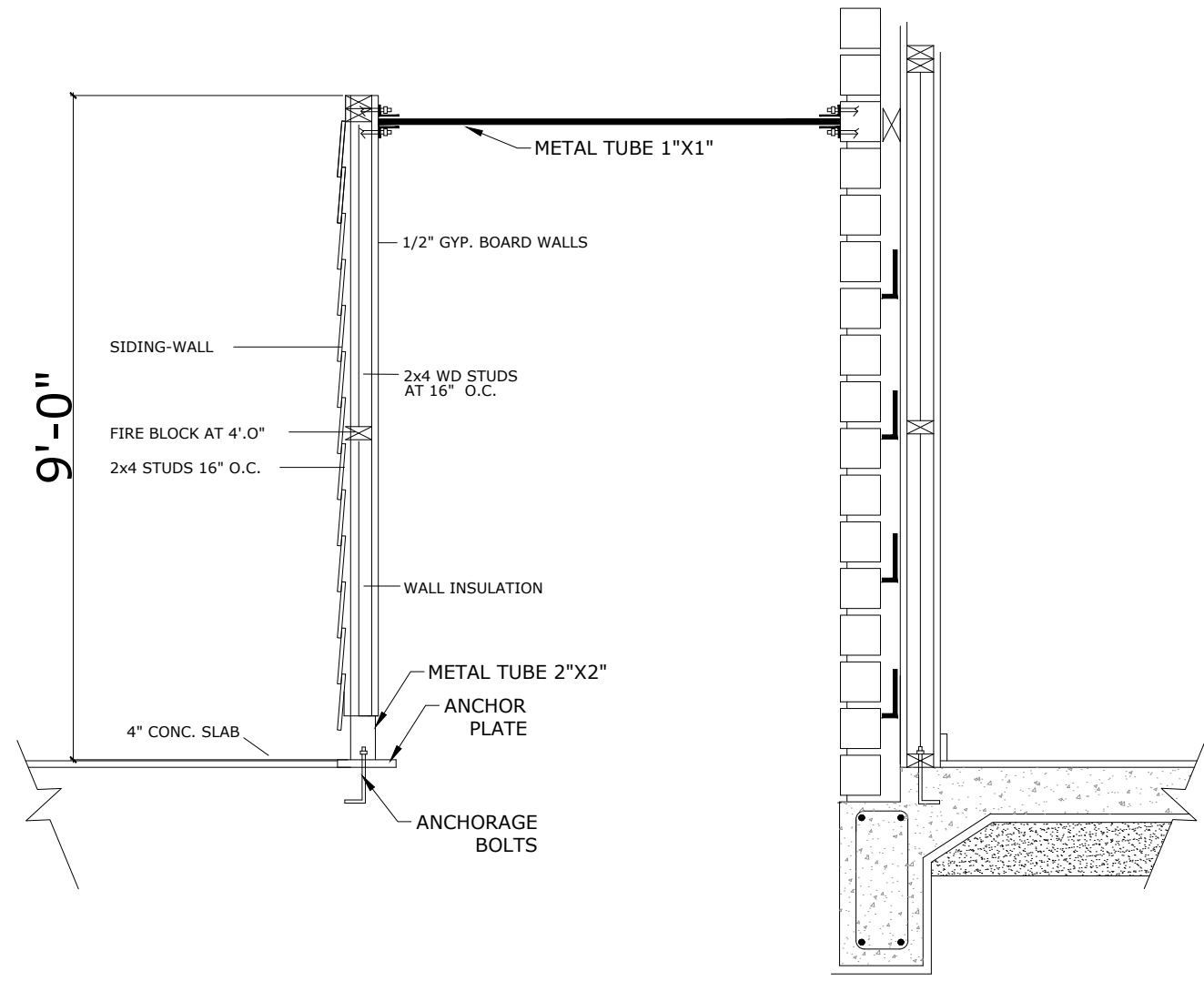
**PLATE DIMENSIONS**



**BOLTS DIMENSIONS**

- NOTES:**
- \* WELDING: THE PROFILE, THE SIGNS AND THE ANCHORING PLATE WILL BE WELDED AROUND THE ENTIRE PERIMETER OF CONTACT.  
THE WELDING BEAD WILL BE CONTINUOUS AND COMPLETE PENETRATION
  - \* THE DIMENSIONS AND THE ASSEMBLY WILL BE ADAPTED TO THE APPLICATIONS AND CORRESPONDING REGULATIONS OF CALCULATION.

**ANCHOR PLATE DETAILS**  
SCALE: N.T.S.



**PROP.WALL SECTION - SIDING**  
N.T.S

**EXISTING WALL SECTION - BRICK**  
N.T.S

**FRAMING AND ANCHORAGE DETAIL**  
NO SCALE

CITY STAMP

AARON MEJORADO  
127642  
LICENSED PROFESSIONAL ENGINEER

06/14/2024

ENGINEER STAMP

SCALE:	NO SCALE	DRAWING No.	02 of 03
DATE:	06-13-24		
REV:			
SQ.FT:			

ADDRESS: 2680 DENTON TAP RD., LEWISVILLE, TX 76067

SCOPE OF WORK: ADDITION

DRAWN: S.H.

PLAN: FRAMING PLAN AND DETAIL

**CREATIVO DESIGNS**

8500 N STEMMONS FWY  
SUITE#2045 DALLAS, TX 75247